

**NA4901-XL**

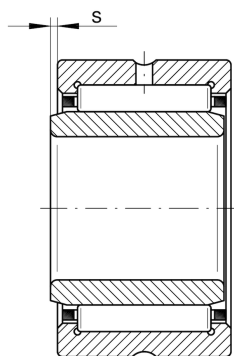
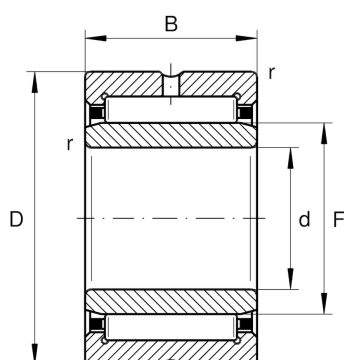
Needle roller bearing

Schaeffler ID:
0506594300000

Needle roller bearing NA49..-XL, single row, with inner ring, outer ring with 2 bords

X-life

Technical information

**Main Dimensions & Performance Data**

d	12 mm	Bore diameter
D	24 mm	Outside diameter
B	13 mm	Width
C_r	10,600 N	Basic dynamic load rating, radial
C_{0r}	10,900 N	Basic static load rating, radial
C_{ur}	1,970 N	Fatigue load limit, radial
n_G	23,200 1/min	Limiting speed
n_{gr}	14,200 1/min	Reference speed
	0.027 kg	Weight

Dimensions

F	16 mm	Raceway diameter inner ring
r_{min}	0.3 mm	Minimum chamfer dimension
s	0.5 mm	Axial displacement

Temperature range

T_{min}	-30 °C	Operating temperature min.
T_{max}	120 °C	Operating temperature max.